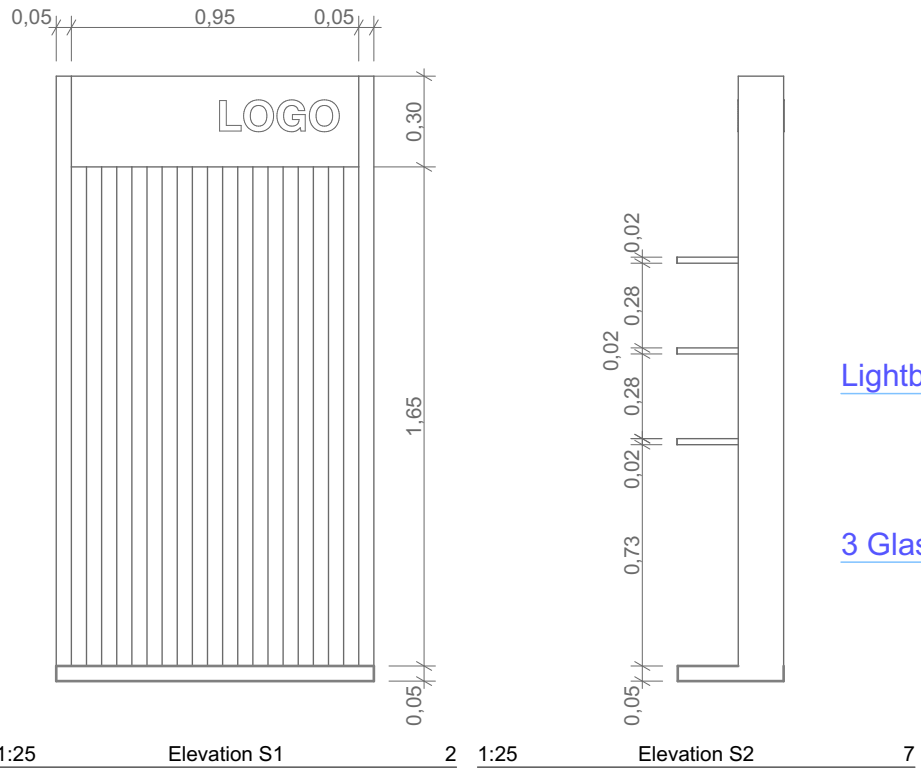


DIVIDING ELEMENT

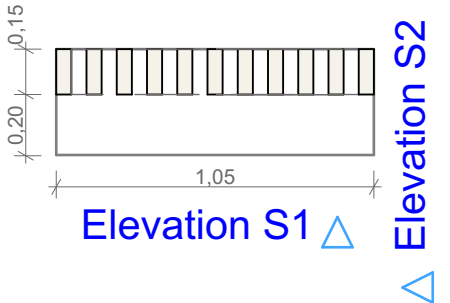
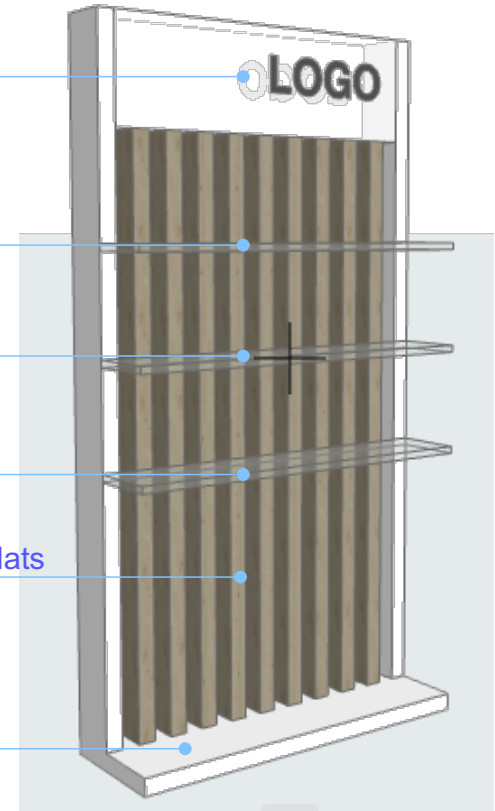


Lightbox + exhibitor vinyl logo

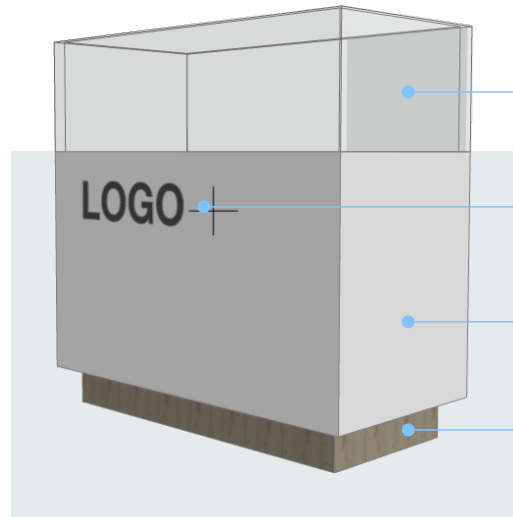
3 Glass shelves

Plywood or natural wood light color slats

Wooden perimeter structure + base.
White finish, preferably lacquered.



LOCKABLE SHOWCASE

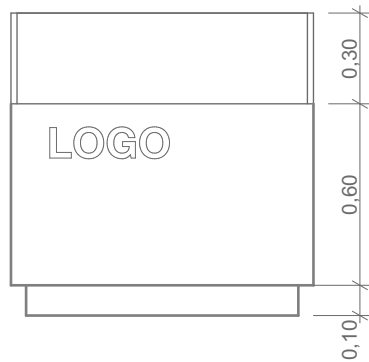


Glass showcase inlighted

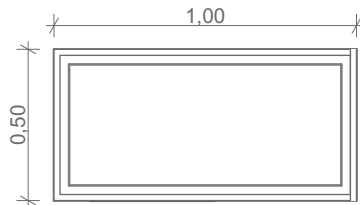
Vinyl logo

Wooden body. White finish, preferably lacquered.

Plywood or natural wood light color base

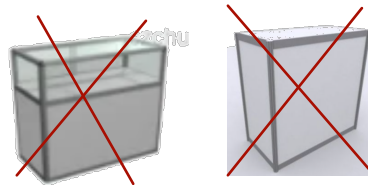


1:25 Elevation S3 5



Elevation S3 Δ

SHOWCASE AND COUNTER DESIGN CAN BE SLIGHTLY DIFFERENT TO FIT THE BUDGET. EXISTING STOCK MODELS CAN BE OFFERED, BUT MODULAR SYSTEM FURNITURE IS NOT ALLOWED.

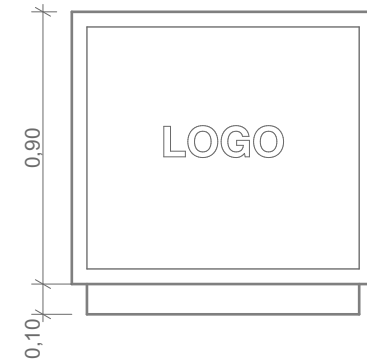


Lightbox with vinyl logo

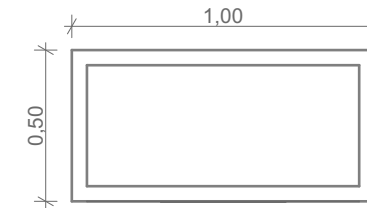
Wooden body. White finish, preferably lacquered.

Plywood or natural wood light color base

LOCKABLE COUNTER



1:25 Elevation S4 6



Elevation S4 Δ

